

ATyS range

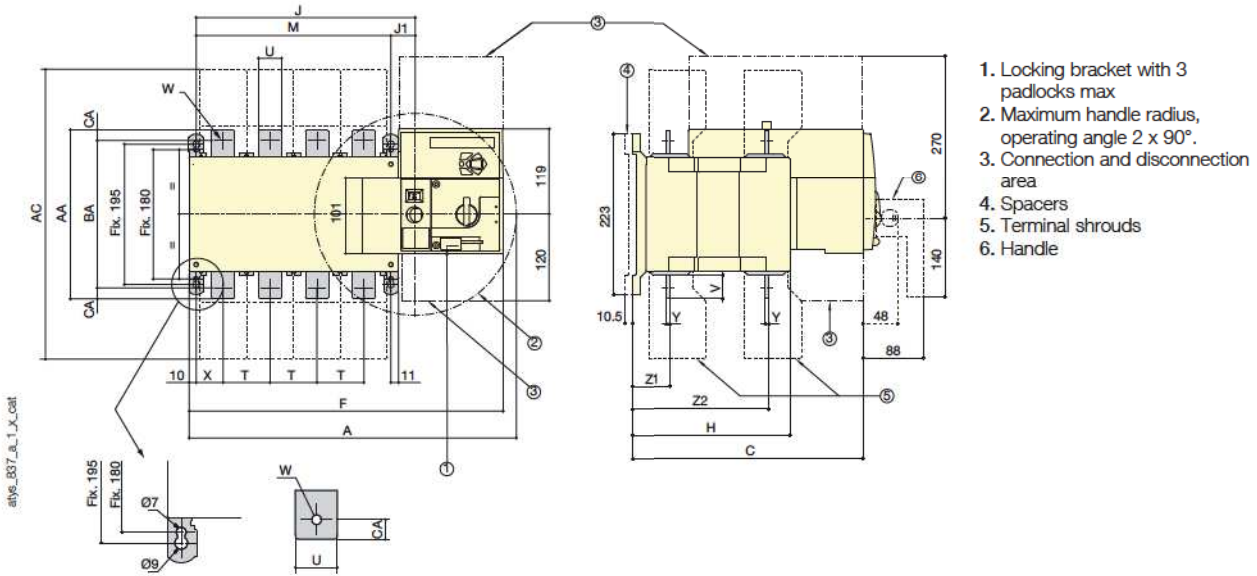
ATyS, ATyS d, ATyS t, ATyS g, ATyS p
from 125 to 3200 A

:- AUTHORISED DISTRIBUTORS :-

VRAJ LINK

Dimensions

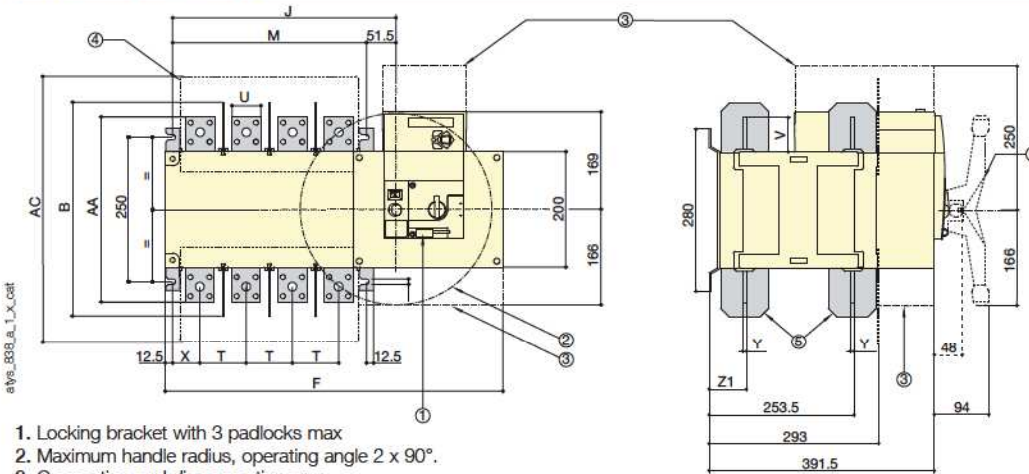
ATyS 125 to 630 A



1. Locking bracket with 3 padlocks max
2. Maximum handle radius, operating angle 2 x 90°.
3. Connection and disconnection area
4. Spacers
5. Terminal shrouds
6. Handle

Rating (A)	Overall dimensions			Terminal shrouds	Body						Switch mounting		Connection											
	A 3p.	A 4p.	C	AC	F 3p.	F 4p.	H	J 3p.	J 4p.	J1	M 3p.	M 4p.	T	U	V	W	X 3p.	X 4p.	Y	Z1	Z1	AA	BA	CA
125	304	334	244	233	286.5	317	151	154	184	34	120	150	38	20	25	9	28	22	3.5	38	134	135	115	10
160	304	334	244	233	286.5	317	151	154	184	34	120	150	38	20	25	9	28	22	3.5	38	134	135	115	10
200	304	334	244	233	286.5	317	151	154	184	34	120	150	38	20	25	9	28	22	3.5	38	134	135	115	10
250	345	395	244	288	328	378	152	195	245	35	160	210	50	25	30	11	33	33	3.5	39.5	133.5	160	130	15
315	345	395	244	288	328	378	152	195	245	35	160	210	50	25	30	11	33	33	3.5	39.5	133.5	160	130	15
400	345	395	244	288	328	378	152	195	245	35	160	210	50	35	35	11	33	33	3.5	39.5	133.5	170	140	15
500	394	454	320.5	402	377	437	221	244	304	34	210	270	65	45	50	13	42.5	37.5	5	53	190	280	220	20
630	394	454	320.5	402	377	437	221	244	304	34	210	270	65	45	50	13	42.5	37.5	5	53	190	280	220	20

ATyS 800 to 1800 A



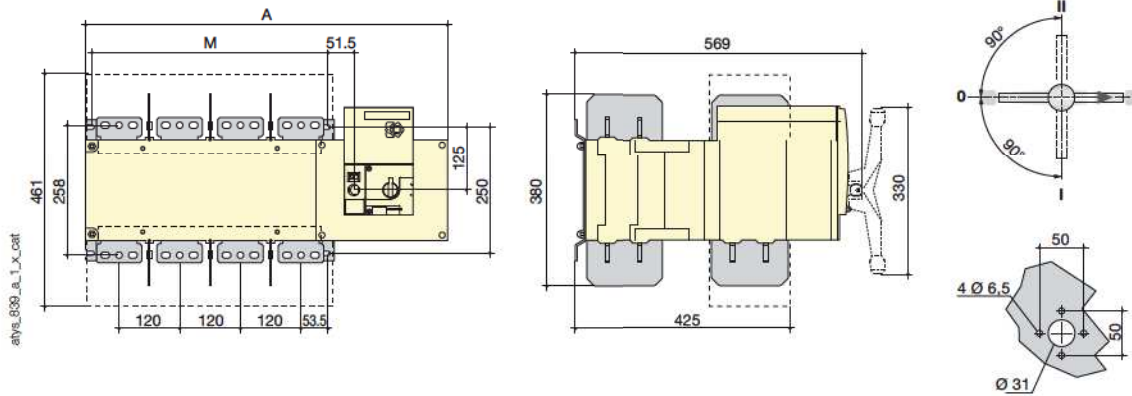
1. Locking bracket with 3 padlocks max
2. Maximum handle radius, operating angle 2 x 90°.
3. Connection and disconnection area
4. Terminal screens
5. Inter phase barrier
6. Handle

Rating (A)	Overall dimensions	Terminal shrouds	Body				Switch mounting		Connection							
	B	AC	F 3p.	F 4p.	J 3p.	J 4p.	M 3p.	M 4p.	T	U	V	X	Y	Z1	AA	
800	370	461	504	584	306.5	386.5	255	335	80	50	60.5	47.5	7	66.5	321	
1000	370	461	504	584	306.5	386.5	255	335	80	50	60.5	47.5	7	66.5	321	
1250	370	461	504	584	306.5	386.5	255	335	80	60	65	47.5	7	66.5	330	
1600	380	531	596	716	398.5	518.5	347	467	120	90	44	53	8	67.5	288	
1800	380	531	596	716	398.5	518.5	347	467	120	90	44	53	8	67.5	288	

VRAJ LINK

ATyS range
 ATyS, ATyS d, ATyS t, ATyS g, ATyS p
 from 125 to 3200 A

ATyS 2000 to 3200 A

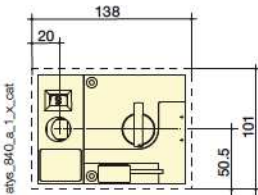


Rating (A)	Overall dimensions		Switch mounting	
	A 3p.	A 4p.	M 3p.	M 4p.
2000 ... 3200	596	716	347	467

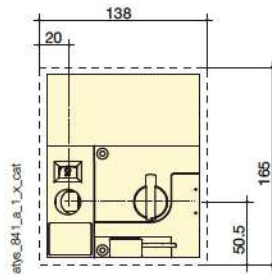
Cut of dimensions

ATyS 125 to 630 A

ATyS

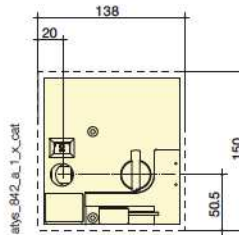


ATyS d, t, g, p

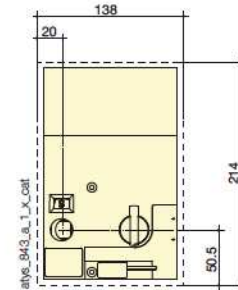


ATyS 800 to 1800 A

ATyS

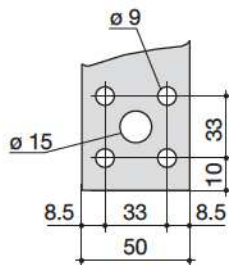


ATyS d, t, g, p

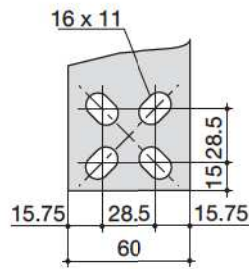


Connection terminals

ATyS 800 to 1000 A



ATyS 1250 A



ATyS 1600 to 3200 A

